

Daikin Altherma 3 EPGA-DV3 / EAVH-D6V Installer Guide

Outdoor	EPGA11DV3	EPGA14DV3	EPGA16DV3
Indoor	EAVH16S23D6V		

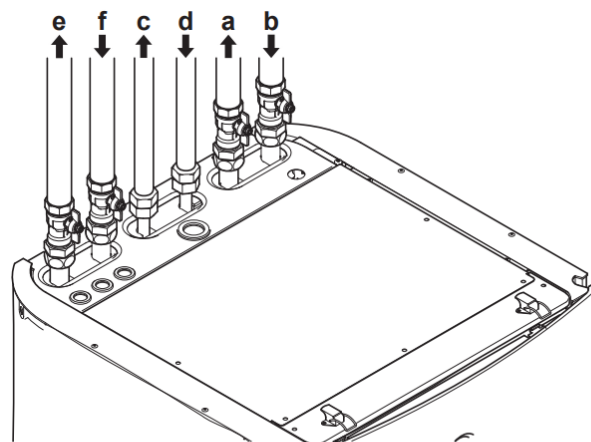
Mechanical

Outdoor unit to Indoor Unit Flow and Return: 1"

No F-Gas required. All refrigerant enclosed outdoors.

Indoor Unit DHW Outlet & Inlet: 3/4" Female

Indoor Space Heating Flow & Return: 1" Female



- a Space heating/cooling water out
- b Space heating/cooling water in
- c Domestic hot water out
- d Domestic cold water in (cold water supply)
- e Outdoor unit water connection out
- f Outdoor unit water connection in

Valves Included with Units

4 x Shut Off Valves – Space heating circuit

1 x Shut Off Valve with Filter – to be installed on Outdoor Water Inlet.

1 x Overpressure By-Pass Valve – To be installed on space heating circuit as far away from the indoor unit as possible. Before the motorized valves / manifolds.

When DHW Unvented Kit is purchased (EKUHWHTB) – 1 x Pressure Reducing Valve and Expansion Relief Valve & 1 x Expansion Vessel

Space Heating Zone(s)

System can work with Underfloor Heating, Radiators & Convectors. See example schematics.



Mounting the Units

Outdoor:

- If the outdoor unit is to be standing:
 - The unit should be installed on 3 rubber mounts/flexi feet (available via Daikin). The drainage can also be achieved by the means of an eco-drain or drain gully underneath the unit connected to storm drain.

Note outdoor unit dimensions 1440 x 1160 x 380mm and weight is 143kg

The unit requires space around the back and sides and approx. 1 metre in front for adequate airflow.

Indoor:

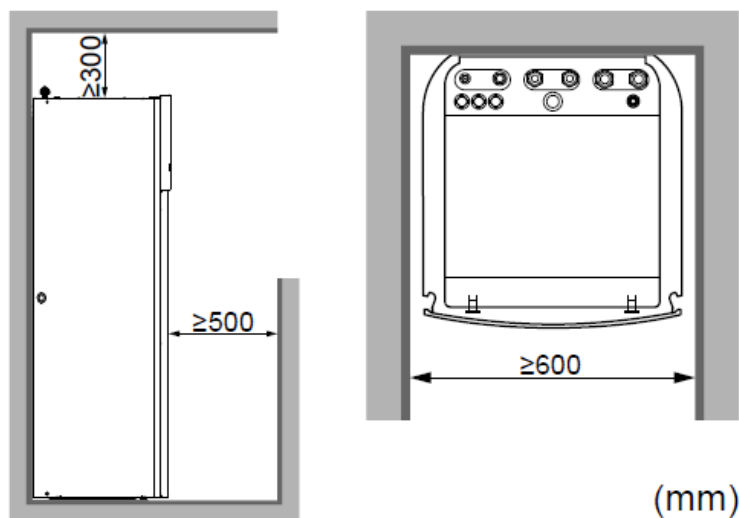
The pipework goes directly into the top of the unit.

All components are accessible via the front panels.

There is a condensate pipe pre fitted which needs to be drained appropriately. This can be routed to the left or right hand side of the unit.

Note indoor unit dimensions are 600mm wide x 625mm deep. The 180ltr unit is 1650mm high and the 230ltr is 1850mm.

The 180ltr unit is 109kg and the 230ltr is 118kg.



Electrical

Outdoor unit to Mains: 6sq x 3 core Power Supply (32 AMP Fuse Breaker RCBO type B/C sensitive)

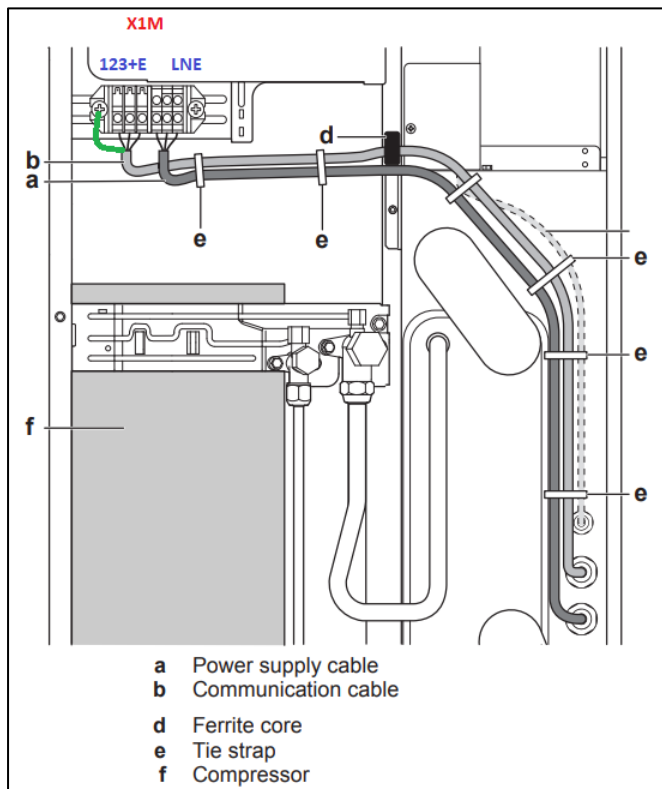
X1M (LNE) – Include Isolation Switch

Indoor Unit to Mains: 4sq x 3 core Power Supply (25 AMP Fuse Breaker RCBO type B/C sensitive)

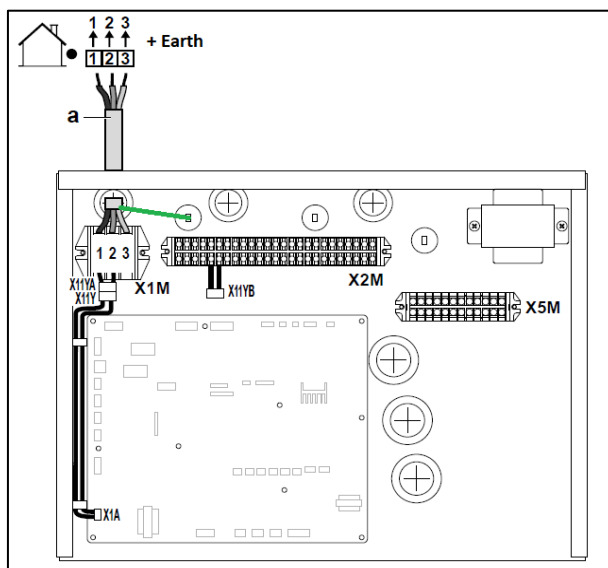
Pre-Wired Cable X6M (LNE)

Indoor Unit to Outdoor Unit: 2.5sq x 4 core Communication

Outdoor = X1M (123 + E) – Indoor = X1M (123 + E)



Outdoor Unit Switch Box



Indoor Unit Switch Box

Daikin Ireland, 2004-4 Orchard Avenue, Citywest, Dublin 24

(01) 6423430

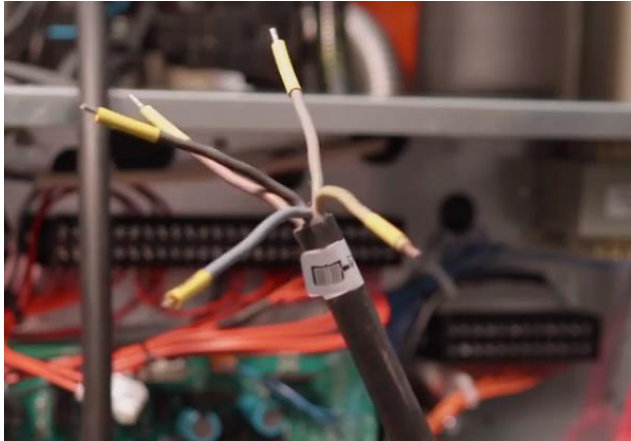
www.daikin.ie



Pre Wired Back Up Heater

5 core flex pre wired for 3 Phase Supply (D9W Models) (3 x Live, Neutral & Earth)

For single phase (D6V Models) connect **Brown** & Grey to Live AND (Black/Blue) & **Blue** to Neutral



User Interface

4 Pin & 2 Pin connections from indoor connect to first two connections as shown.

The unit can be commissioned via a USB Key. See Contractor Tools for details.



Controls Methods

The system can be configured to work off Leaving Water Temp, Room Thermostat or External Room Thermostat.

Control	In this control...
Leaving water	Unit operation is decided based on the leaving water temperature regardless the actual room temperature and/or heating or cooling demand of the room.
External room thermostat	Unit operation is decided by the external thermostat or equivalent (e.g. heat pump convector).
Room thermostat	Unit operation is decided based on the ambient temperature of the user interface used as a room thermostat.

External Room Thermostat (Most Common)

System can be used with any 3rd party Thermostats.

Indoor unit requires a Volt Free Contact from Heat Demand (e.g. Motorized Valves / UFH Wiring Centre)

0.75sq x 2 Core Indoor – (X2M 30 & 35 Zone 1) + (X2M 30 & 35a Additional Zone)

Note: If there are Rads GF & FF this counts as 1 Zone.

Only if there is UFH & Rads then it counts as 2 Zones and we need to use 35a as above.



Additional Tools for Contractors

Stand By Me

This is an online warranty platform for end users & installers.

Once a unit is installed the installer uploads the information via **Stand By Me** or the **Daikin E-Care App**. The end users can register their warranty via a 5 digit code. Both parties will receive notifications about annual services.

<https://standbyme.daikin.ie/en/>

Heating Solutions Navigator

This is a tool built into Stand By Me. This allows installer to complete heat loss calculations, radiator sizing and UFH design & configure the system onto a USB key for quick and easy on site commissioning.

Manuals

Full installation Manuals available via Daikin.ie

https://www.daikin.ie/en_gb/products/EPGA011-016DV.html

https://www.daikin.ie/en_gb/products/EAVH-D6VG.html

Daikin Ireland, 2004-4 Orchard Avenue, Citywest, Dublin 24

(01) 6423430

www.daikin.ie

